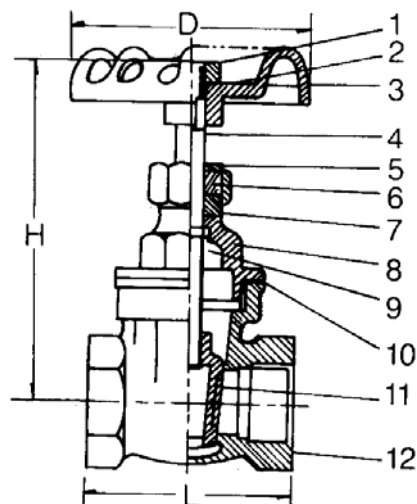


BRASS TYT GATE VALVE UNTESTED

Parts List:

1	Wheel Nut	Brass Rod
2	Name Plate	Aluminium
3	Hand Wheel	Cast Iron
4	Stem	Brass
5	Packing Nut	Brass Rod
6	Gland	Brass Rod
7	Gland Packing	Graphite, Teflon
8	Bonnet	Cast Brass
9	Lock Nut	Brass Rod
10	Washer	Fiber
11	Disc	Cast Brass
12	Body	Cast Brass



Size	3/8"	1/2"	3/4"	1"	1 1/4"	1 1/2"	2"	2 1/2"	3"	4"
L	41	44	49	55	60	61	69	88	97	119
H	73	73	85	97	112	127	146	169	221	263
D	52	56	56	63	68	79	86	105	118	132
C	-	47	63	72	77	88	109	-	-	-

PRESSURE TEMPERATURE RATINGS FOR VALVES

