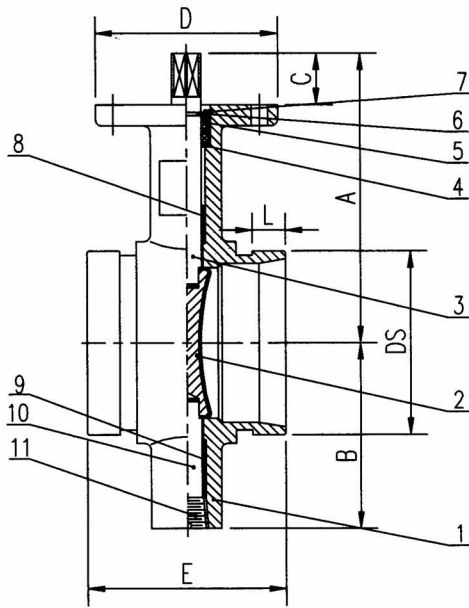


**CLAMPIT SHOULDERED BUTTERFLY  
GEARBOX OPERATED**

**SPECIALY DESIGN FOR THE MINING INDUSTRY**

- 20 Bar Rated
- Ductile Iron Body
- EPDM Encapsulated Ductile Iron Disc
- Shouldered Ends
- FBE Coated Body
- Gearbox Operated



ITEM	COMPONENT	MATERIAL
1	BODY	DUCTILE IRON
2	DISC	DUCTILE IRON/EPDM ENCAPSULATED
3	SHAFT	STAINLESS STEEL 421
4	BUSHING	PTFE
5	O RING	EPDM
6	LOCK PLATE	BRASS
7	CIRCLIP	SPRING STEEL
8	BODY BUSHING	PTFE
9	BUSHING LOWER	PTFE
10	SHAFT LOWER	STAINLESS STEEL 421
11	PLUG	CARBON STEEL

SIZE NB	A	B	C	D	E	DS	L
50	122	77	30	90	84	66.5	16
80	147	90	30	90	97	97	16
100	177	108	30	90	116	122	17.5
150	215	145	30	90	148	174.5	17.5
200	245	180	30	125	133	232	20.5
250	295	230	30	125	159	286	20.5
300	320	260	30	125	165	336.5	20.5

150NB END CONNECTIONS ARE FOR 165 ØD (6.1/2") PIPE