



Stainless Steel Pumps

Model DW VOX Submersible Vortex Pumps



Specifications

Submersible pump with vortex impeller
 Maximum solids handling 50 mm
 Maximum liquid temperature: 40°C
 Maximum submergence: 10m

Materials

Pump casing: 304 Stainless Steel
 Impeller: 304 Stainless Steel
 Casing cover: 304 Stainless Steel
 Shaft : 303 Stainless Steel
 Seal Cover: 304 Stainless Steel
 Fasteners: 304 Stainless Steel
 Mechanical seal: Double mechanical seal in oil lubricated chamber, Silicon Carbide lower faces, Carbon/Ceramic upper faces.

Motor Data

Air filled, dry submersible, 2 pole motor
 Insulation class F
 IP68 protection
 50 Hz, 3 phase - 415 Volt, 1 phase - 240 Volt
 In built overload protection for 1 phase

Cable

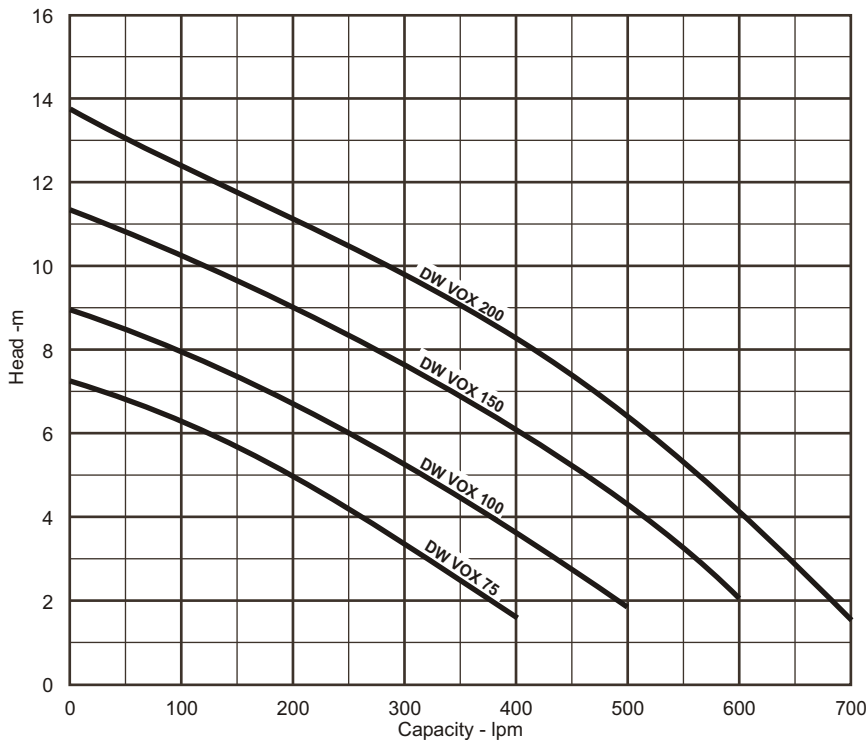
10 m of cable (without plug)

Range

50 mm discharge
 0.55 to 1.5 kW motors
 Single phase (upto 1.1kW), automatic or manual versions
 Three phase, manual version only

Submersible pump with vortex impeller, handling up to 50 mm solids. All stainless steel construction, with double mechanical seal in oil bath.

Performance Curve



Model Code

DW VOX 100 M A — 1 phase, Automatic
 DW VOX 150 M — 1 phase, Manual
 DW VOX 200 — (blank) 3 phase, Manual
 "Size" 75 = 0.55 kW
 100 = 0.75 kW
 150 = 1.1 kW
 200 = 1.5 kW

Synchronous Speed:
3000 r.p.m.

Water temp:
20°C

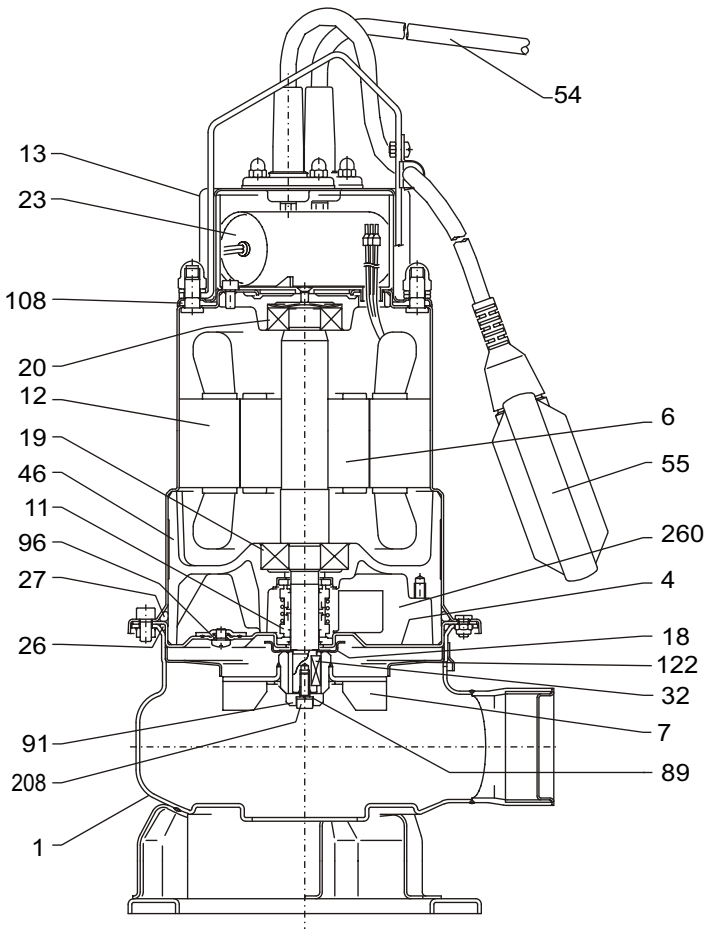
Applicable standard of test :
ISO 2458 Class C

Performance Table

Pump Model	Motor Output	Discharge Ø mm	Full Load Current		Capacitor (1Phase models only)	Q= Capacity - litres/min								
			1 Phase Models 240 V, 1ph.	3 Phase Models 415 V, 3ph.		0	100	200	300	400	500	600	700	
DW VOX 75	0.55 kW	50 mm	3.9 A	1.4 A	20 µF	7.3	6.3	5.0	3.5	1.6				
DW VOX 100	0.75 kW	50 mm	5.8 A	2.1 A	25 µF	9.0	7.9	6.7	5.3	3.7	1.9			
DW VOX 150	1.1 kW	50 mm	7.3 A	2.8 A	31.5 µF	11.4	10.2	9.0	7.6	6.1	4.1	2.1		
DW VOX 200	1.5 kW	50 mm	N/A	3.3 A	N/A	13.8	12.5	11.2	9.8	8.3	6.4	4.2	1.6	

Sectional Drawing

Model DW Vox



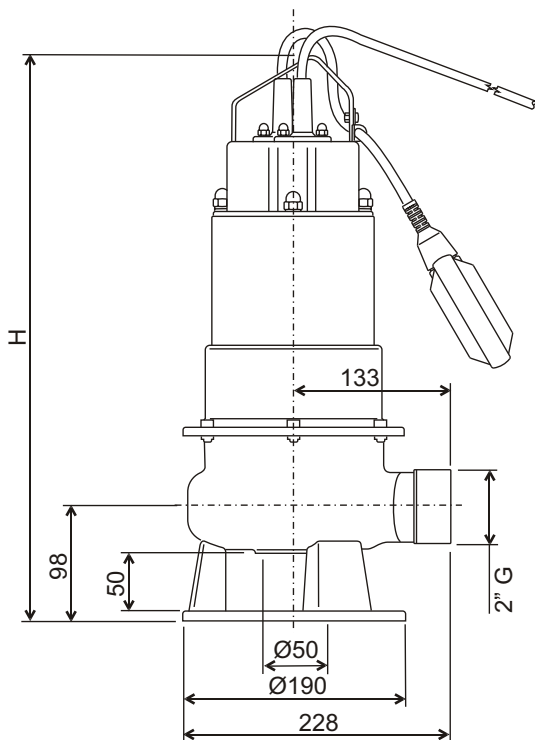
No.	PART NAME	MATERIAL	QTY
1	Casing	AISI 304 Stainless Steel	1
4	Casing cover	AISI 304 Stainless Steel	1
6	Shaft with rotor #	AISI 304 Stainless Steel	1
7	Impeller	AISI 304 Stainless Steel	1
11	Mechanical seal	SiC/SiC-Car/Cer/NBR	1
12	Motor frame with stator		1
13	Motor cover	AISI 304 Stainless Steel	1
18	Mechanical seal protection	AISI 304 Stainless Steel	1
19	Lower side ball bearing		1
20	Upper side ball bearing		1
23	Capacitor (1)		1
26	O' ring	NBR Rubber	1
27	O' ring	NBR Rubber	1
32	Impeller Key	AISI 304 Stainless Steel	1
46	Bearing housing	G20 Cast Iron	1
54	Power cable		1
55	Float switch (2)		1
89	Washer (Spring)	AISI 304 Stainless Steel	1
91	Impeller Washer	AISI 304 Stainless Steel	1
96	O' ring	NBR Rubber	3
108	Cover gasket	NBR Rubber	1
122	Impeller protection ring (3)	AISI 304 Stainless Steel	1
208	Impeller Screw	AISI 304 Stainless Steel	1
260	Lubricating liquid	White mineral oil	385 cc

refers to pump side of shaft material
 1 - only for single phase versions
 2 - only for automatic single phase versions
 3 - for sizes DW Vox 75 & 100 only

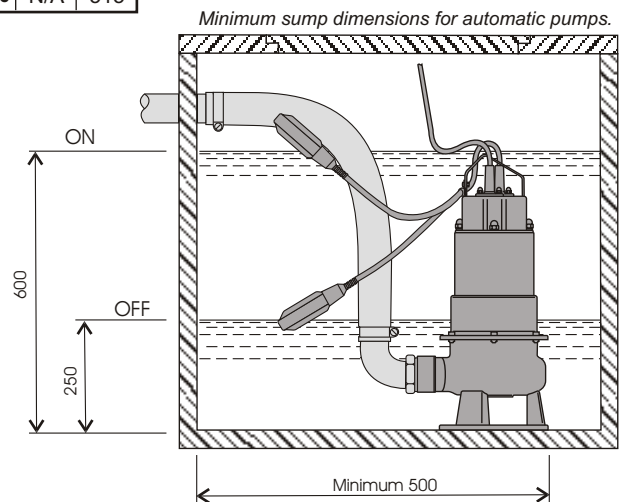
Dimensions

Model DW Vox

Units: mm unless otherwise specified



Model	H(mm)	
	1Ø	3Ø
DW Vox 75	485	485
DW Vox 100	515	485
DW Vox 150	515	515
DW Vox 200	N/A	515



Specifications subject to change without notice



EBARA PUMPS Australia Pty. Ltd

Data Sheet

DW VOX 07-07