



Stainless Steel Pumps

Model RIGHT Submersible Semi Vortex Pumps



Specifications

Submersible pump with semi vortex impeller
 Maximum solids handling 35 mm
 Maximum liquid temperature: 50°C
 Maximum submergence: 10m

Materials

Pump casing: 304 Stainless Steel
 Impeller: 304 Stainless Steel
 Suction cover: 304 Stainless Steel
 Shaft : 303 Stainless Steel
 Motor frame: 304 Stainless Steel
 Fasteners: 304 Stainless Steel
 Mechanical seal: Double mechanical seal in oil lubricated chamber, Silicon Carbide lower faces, Carbon/Ceramic upper faces.

Motor Data

Air filled, dry submersible, 2 pole motor
 Insulation class F
 IP68 protection
 50 Hz, 3 phase - 415 Volt, 1 phase - 240 Volt
 In built overload protection for 1 phase

Cable

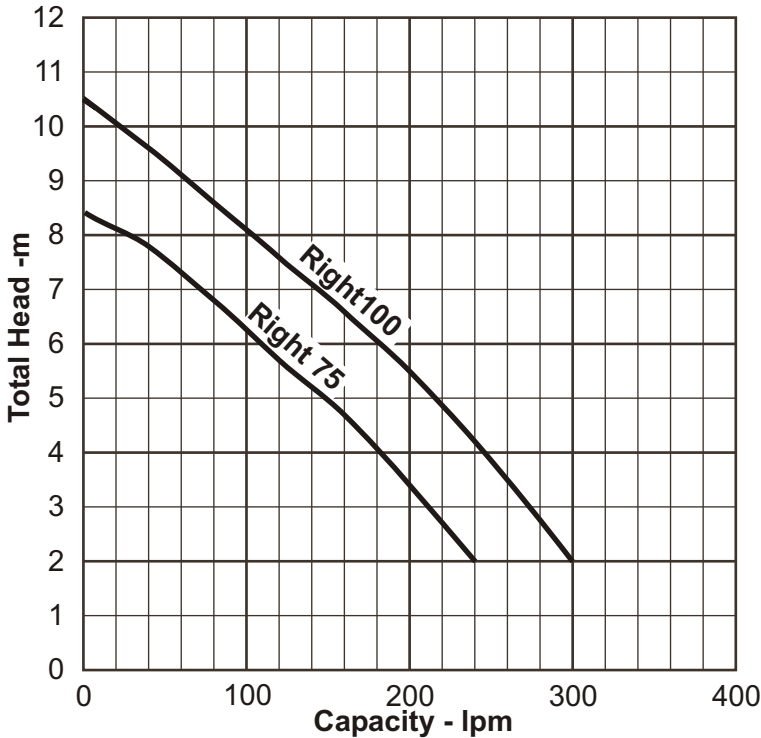
10 m of cable (without plug)

Range

40 mm discharge
 0.55 & 0.75 kW motors
 Single phase, automatic or manual versions
 Three phase, manual version only

Submersible pump with semi vortex impeller, handling up to 35 mm solids. All stainless steel construction, with double mechanical seal in oil bath.

Performance Curve



Model Code

Right 75 M A — 1 phase, Automatic
 Right 75 M — 1 phase, Manual
 Right 75 — (blank) 3 phase, Manual
 "Size" 75 = 0.55 kW
 100 = 0.75 kW

Synchronous Speed:
3000 r.p.m.

Water temp:
20°C

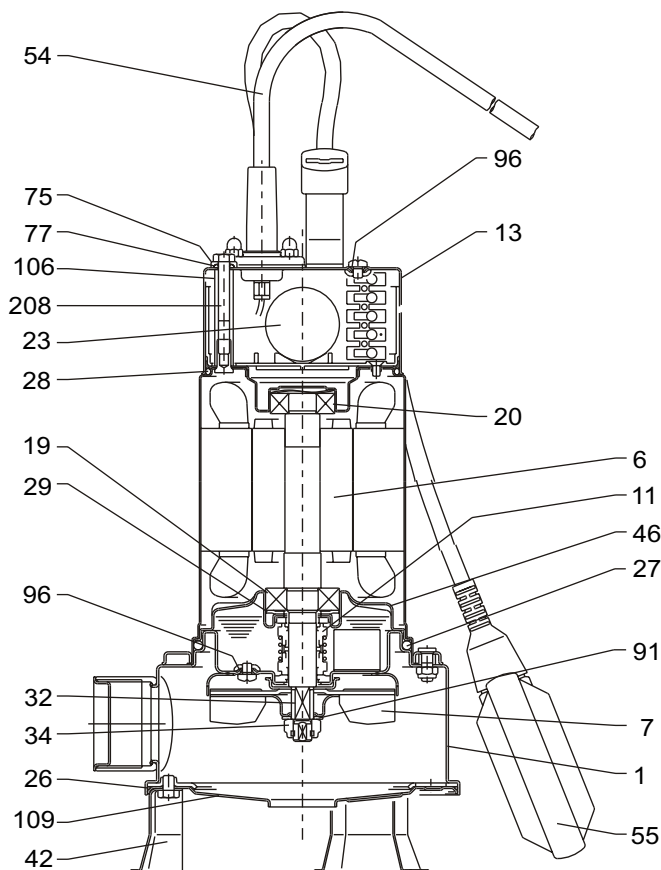
Applicable standard of test :
ISO 2458 Class C

Performance Table

Pump Model	Motor Output	Discharge Ø mm	Full Load Current		Capacitor (1Phase models only)	Q= Capacity - litres/min							
			1 Phase Models 240 V, 1ph.	3 Phase Models 415 V, 3ph.		40	80	120	160	200	240	300	
Right 75	0.55 kW	40 mm	4.8 A	2.1 A	20µF	7.8	6.8	5.7	4.7	3.4	2		
Right 100	0.75 kW	40 mm	5.7 A	2.6 A	31.5µF	9.5	8.6	7.6	6.6	5.4	4.2	2	

Sectional Drawing

Model **Right**



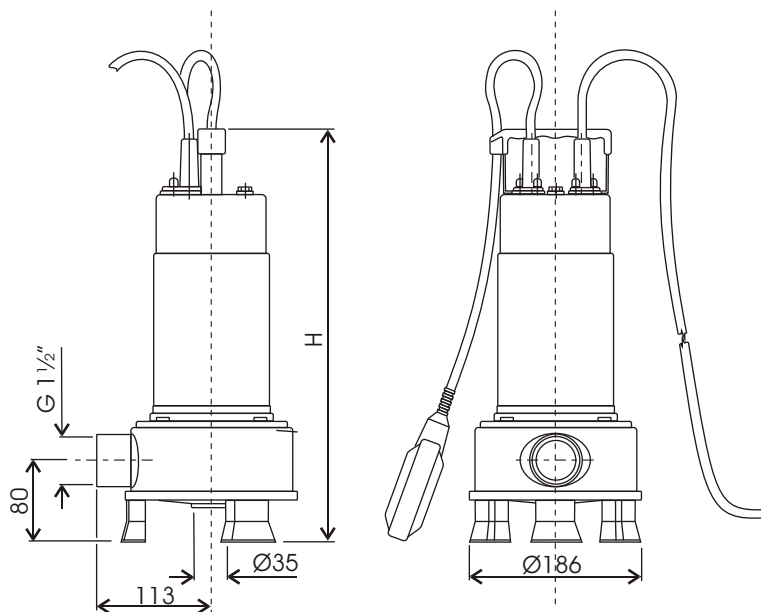
Item Number	Description	Material	Quantity per unit
1	Casing	AISI 304 Stainless Steel	1
6	Shaft with rotor #	AISI 303 Stainless Steel	1
7	Impeller	AISI 304 Stainless Steel	1
11	Mechanical Seal	SiC/SiC -Car/Cer. -NBR	1
13	Cover	AISI 304 Stainless Steel	1
19	Lower Bearing	Sealed Ball Bearing	1
20	Upper Bearing	Sealed Ball Bearing	1
23	Capacitor ¹		1
26	O' Ring	NBR Rubber	1
27	O' Ring	NBR Rubber	1
28	O' Ring	NBR Rubber	1
29	Washer	AISI 304 Stainless Steel	1
32	Impeller Key	AISI 304 Stainless Steel	1
34	Impeller Nut	AISI 303 Stainless Steel	1
42	Foot	AISI 304 Stainless Steel	3
46	Lower Bearing Bracket	AISI 304 Stainless Steel	1
54	Submersible Power Cable		1
55	Float Switch ²		1
75	Washer	AISI 304 Stainless Steel	3
77	O' Ring	NBR Rubber	3
91	Washer	AISI 304 Stainless Steel	1
96	O' Ring	NBR Rubber	3
106	Spacer	AISI 304 Stainless Steel	3
109	Suction Cover	AISI 304 Stainless Steel	1
208	Screw	AISI 304 Stainless Steel	3

refers to pump side of shaft material
 1 - only for single phase versions
 2 - only for automatic single phase versions

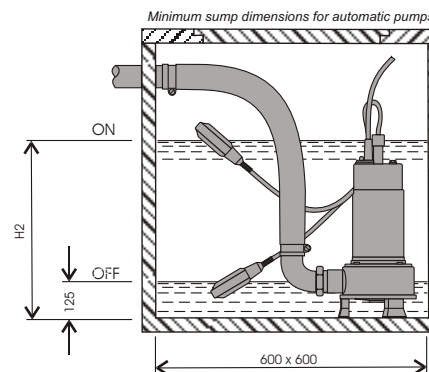
Dimensions

Model **Right**

Units: mm unless otherwise specified



Model	H	H2
Right 75	405	480
Right 100	430	500



Specifications subject to change without notice



EBARA PUMPS Australia Pty. Ltd

Data Sheet

Right 07-07