

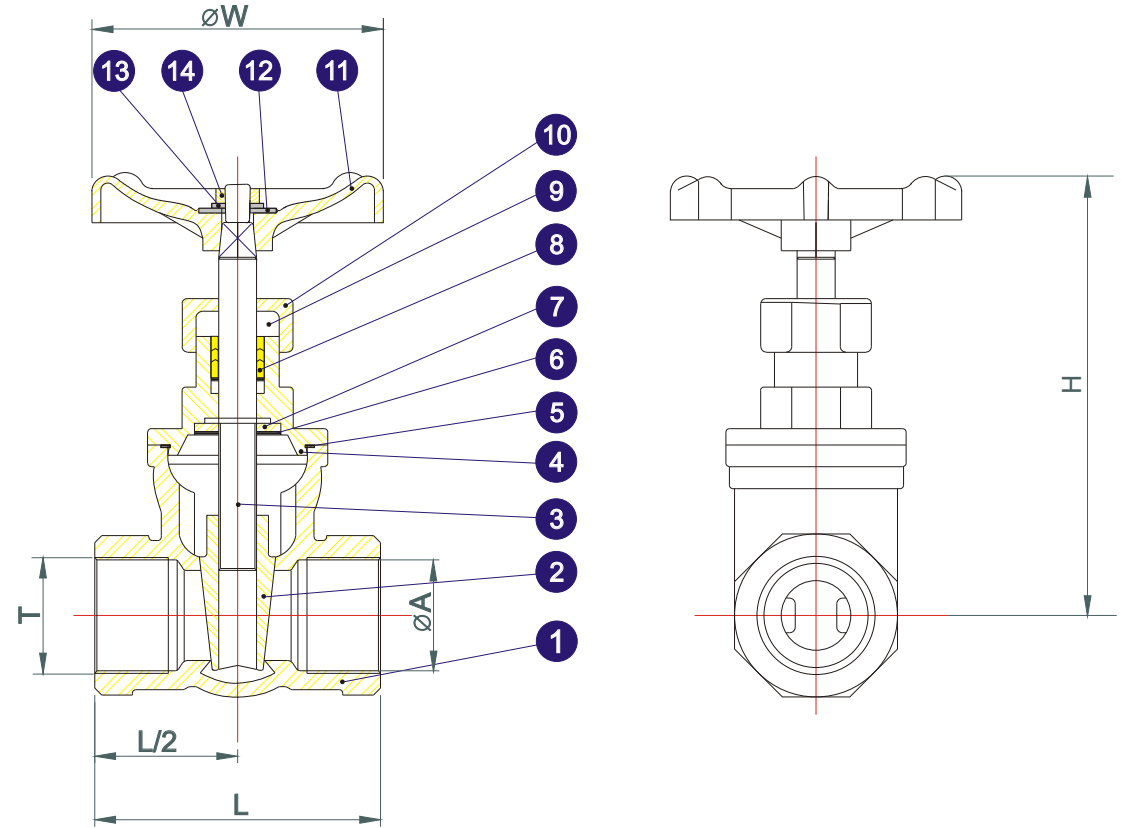
# CMW BVA VALVES PTY LTD.

## SERIES GT-200

Gate Valve,  
 ½"-2" 200LB

### MATERIALS LIST

NO.	PART NAME	SPECIFICATION	Q'TY
1	Body	ASTM A351 Gr. CF8M	1
2	Disc	SS 316	1
3	Stem	SS 316	1
4	Bonnet	ASTM A351 Gr. CF8M	1
5	Gasket Packing	TEFLON	1
6	Stop Ring	SS 304	1
7	Stem Holder	SS 316	1
8	Stem Packing	TEFLON	1 SET
9	Gland	SS 304	1
10	Gland Nut	SS 316	1
11	Handle Wheel	MICO STEEL	1
12	Name Plate	ALUMINUM	1
13	Handle Wheel Washer	SS 304	1
14	Handle Wheel Nut	SS 304	1



SIZE	øA	L	H	øW	T	W(kg)
½"	15	55	95	70	½"- NPT.PF	0.42
¾"	20	60	102	70	¾"- NPT.PF	0.53
1"	25	65	115	80	1"- NPT.PF	0.70
1¼"	32	75	127	80	1¼"- NPT.PF	1.10
1½"	38	85	150	90	1½"- NPT.PF	1.50
2"	50	95	170	100	2"- NPT.PF	2.10