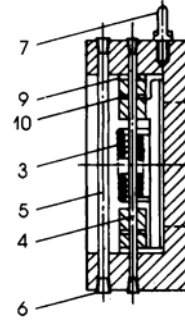


CAST IRON WAFER CHECK VALVE

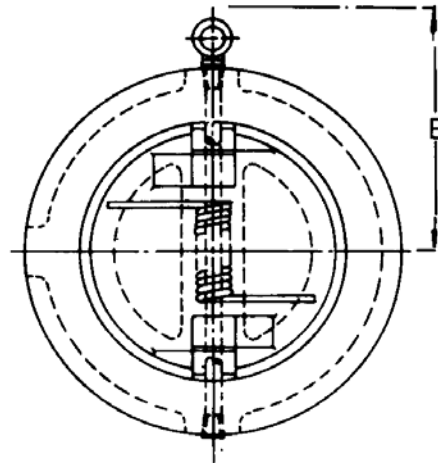
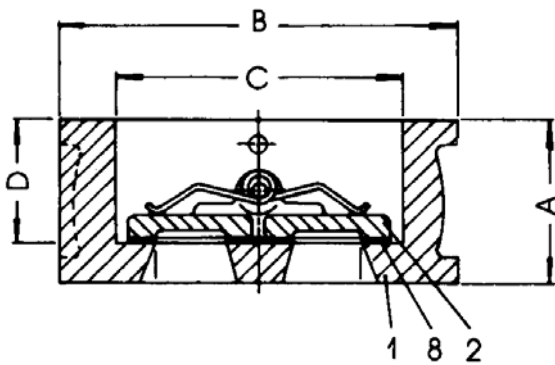


MATERIALS

1	BODY	Cast Iron	AS1830-T220
2	PLATES	Stainless Steel	AS2837-Gr316
3	SPRING	Stainless Steel	AS2837-Gr304
4	HINGE PIN	Stainless Steel	AS2837-Gr304
5	FIXED PIN	Stainless Steel	AS2837-Gr304
6	PLUG	Steel	AS4360
7	EYE BOLT	Steel	AS4360
8	SEAT	BUNA-Nitrile	
9	WASHER	P.T.F.E.	
10	WASHER	P.T.F.E.	



- Suitable for heating, ventilation, air conditioning, building service and pump applications.
- Suitable for use in horizontal or vertical pipework.
- Compact design enables installation in restricted areas not possible with conventional swing check valves.
- Working Pressure 1600kPa.
- To suit Flange AS2129 Table "E".



SIZE		50	65	80	100	125	150	200	250	300
A	mm	51.2	54.1	57.4	64.2	70.2	76.2	95.6	108.6	143.8
B	mm	96.3	110.2	130.2	160.4	190.3	213.2	270.6	334.2	381.5
C	mm	59.9	72.8	88.7	113.8	141.0	167.9	219.0	272.7	323.7
D	mm	36.2	39.4	43.8	47.5	50.9	52.9	67.0	76.2	101.2
E						132	142	176.0	209.0	251.0
Flow Area	cm ²	7.27	15.8	20.1	38.8	66.0	107.2	168.2	318.5	449.15
Approx. Weight	kg	1.0	1.5	2.0	4.0	6.0	8.0	14.0	22.5	36.0